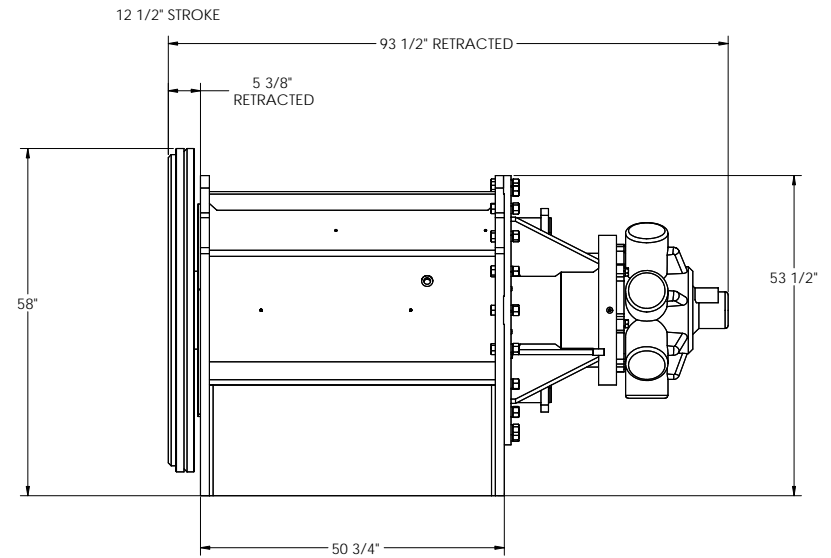
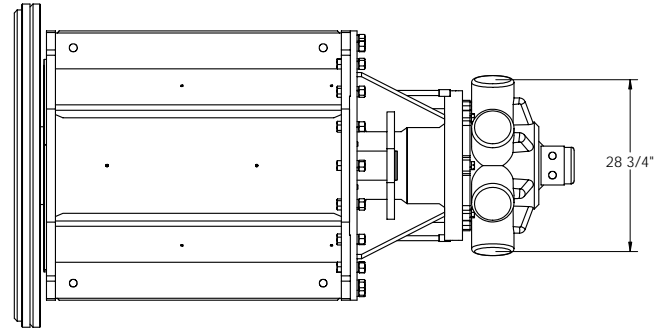
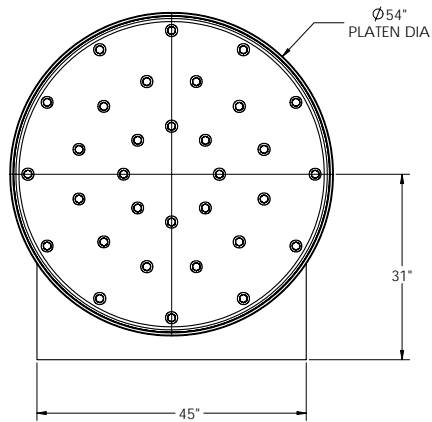
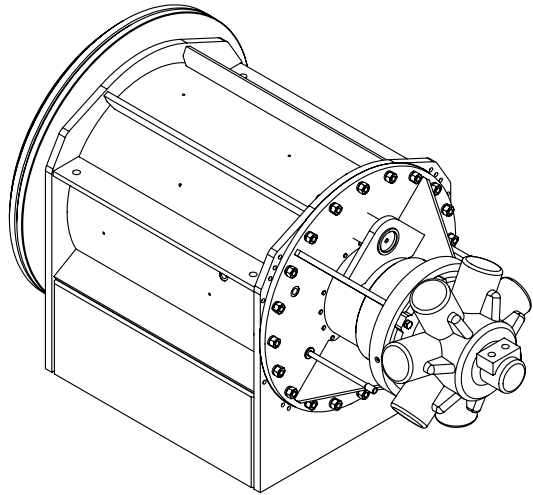


REV	REVISION SCOPE	BY	DATE
-----	----------------	----	------



ESTIMATED PERFORMANCE:
 MAXIMUM THRUST: 500,000 LB @ 3500 PSI
 MAXIMUM SPEED: 4.2 IN/MIN @ 10 GPM

WEIGHT: 14550.081 LB

UNLESS STATED OTHERWISE THE FOLLOWING TOLERANCES APPLY		WESTEC EQUIPMENT INTERNATIONAL LTD.	
FRACTIONAL: ± 1/16"		1514 BAY STREET, NORTH VANCOUVER, BC, V7J 1A1	
ANGULAR: M/C: ±0.1°, BEND: ± 1.0°		TEL: 604 988 1130 FAX: 604 988 1173	
DECIMAL: 0.000" : ± 0.005"		DRAWING TITLE	
0.001" : ± 0.010"		TBC ASSEMBLY	
0.01" : ± 0.020"		DRAWN BY DATE APPROVED BY DATE SCALE	
SURFACE FINISH : 125 MICRO INCH		JBH 6/9/2005	
THIS DRAWING AND THE INFORMATION HEREON AND THE DESIGN ARE EXHIBITED TO OTHERS WITH THE UNDERSTANDING THAT IT WILL BE CONSIDERED CONFIDENTIAL AND NOT BE REPRODUCED IN PART OR WHOLE WITHOUT FORMAL CONSENT FROM WESTEC EQUIPMENT INTERNATIONAL LTD.		REFERENCE DRAWING	
E & O EXCLUDED		Westec TBC	
		DRAWING NO. 40100-01-00-GA	
		REV.	