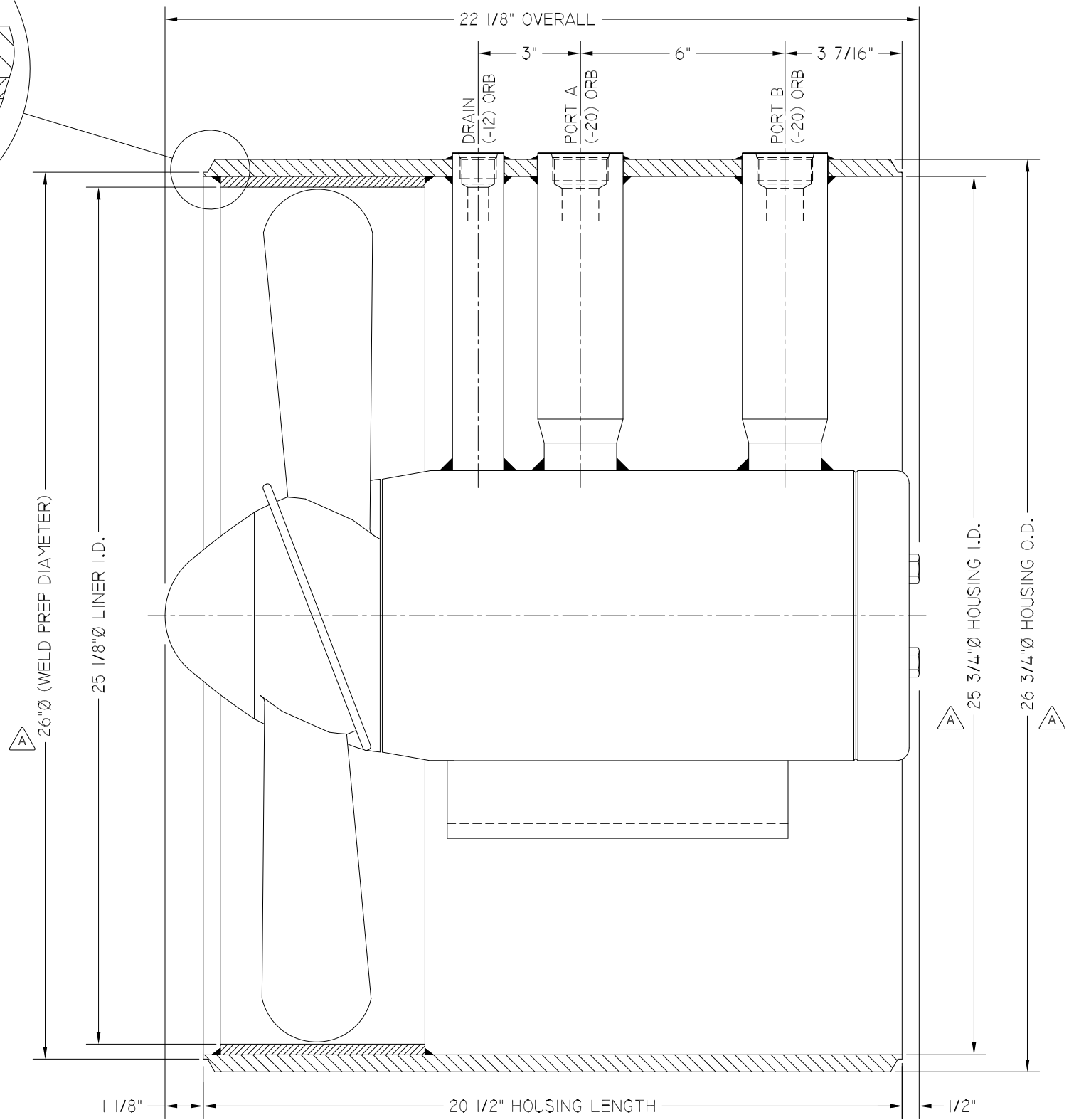
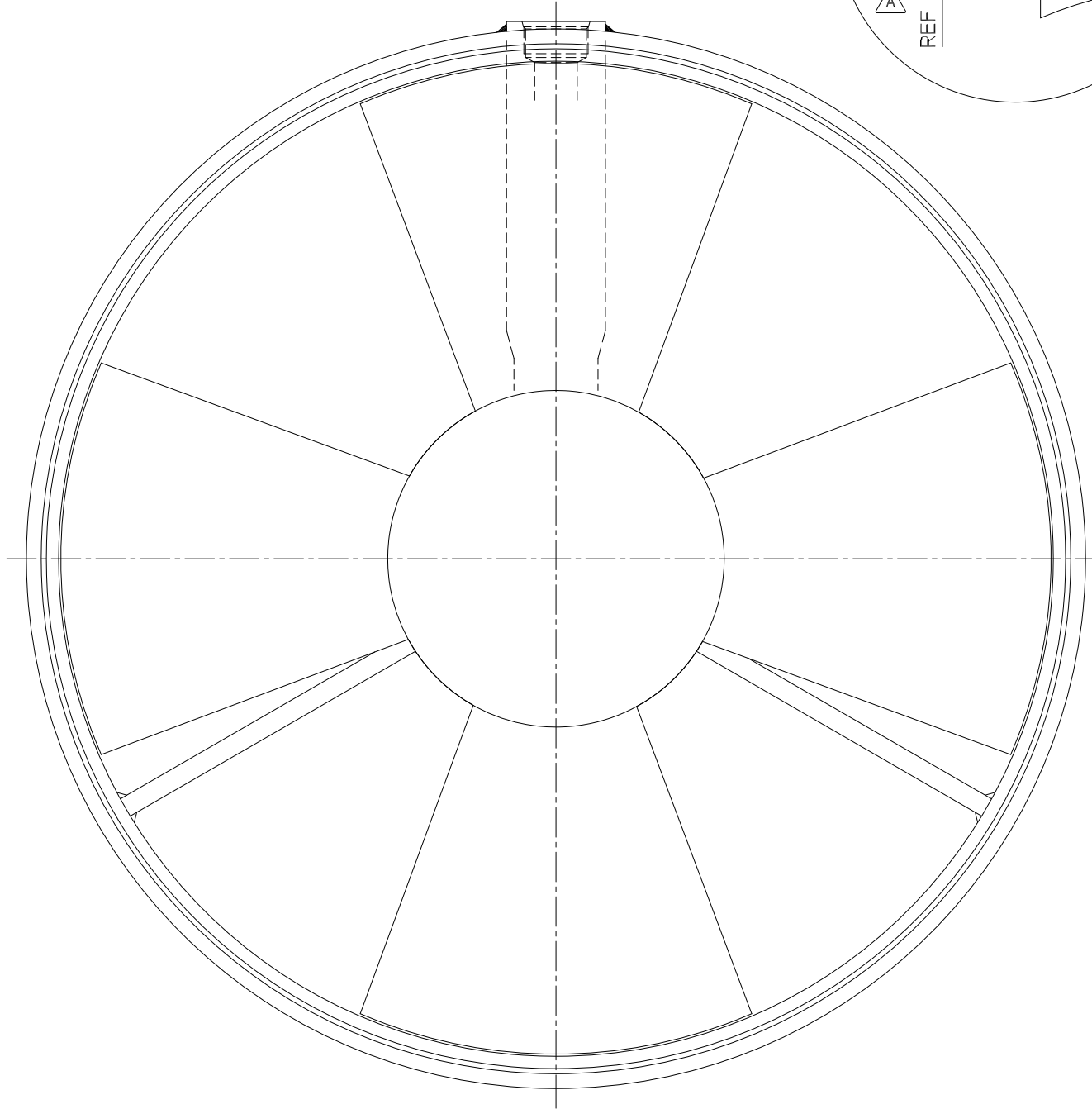
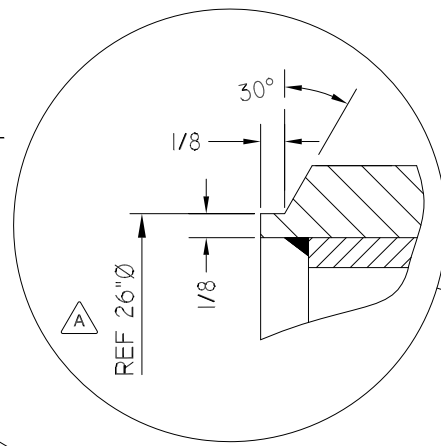


REV.	REVISION SCOPE	BY	DATE
A	SEE E.C.O. FORM 1024 FOR CHANGES	MLG	10/08/15

WELD PREP DETAIL
(TYP - BOTH ENDS
OF HOUSING)



TECHNICAL SPECIFICATIONS:

THRUST (LB)	2000	1700	1250
HYD. PRESSURE (PSI)	2000	2000	1250
HYDRAULIC FLOW (US GPM)	75	60	54

UNLESS STATED OTHERWISE THE FOLLOWING TOLERANCES APPLY		ITEM	QTY.	DESCRIPTION	SIZE	MATL.
0.000"	± .005"		WESTEC EQUIPMENT INTERNATIONAL LTD 1514 BAY STREET, NORTH VANCOUVER, BC, V7J 1A1 TEL. (604) 988-1130 FAX (604) 988-1173			
0.00"	± .010"					
0.0"	± .02"					
SURFACE FINISH						
THIS DRAWING AND THE INFORMATION THEREON AND THE DESIGN ARE EXHIBITED TO OTHERS WITH THE UNDERSTANDING THAT IT WILL BE CONSIDERED CONFIDENTIAL AND NOT USED FOR MANUFACTURING WITHOUT FORMAL CONSENT FROM WESTEC EQUIPMENT INTERNATIONAL E & O.E						
DWG. TITLE 26" BOW THRUSTER LAYOUT						
DRAWN	DATE	CHKD.	DATE	SCALE	0.5X	
JBH	01/04/03					
ASSY/REF. DWG.					DWG. NO.	REV.
				40703-00-LO	A	