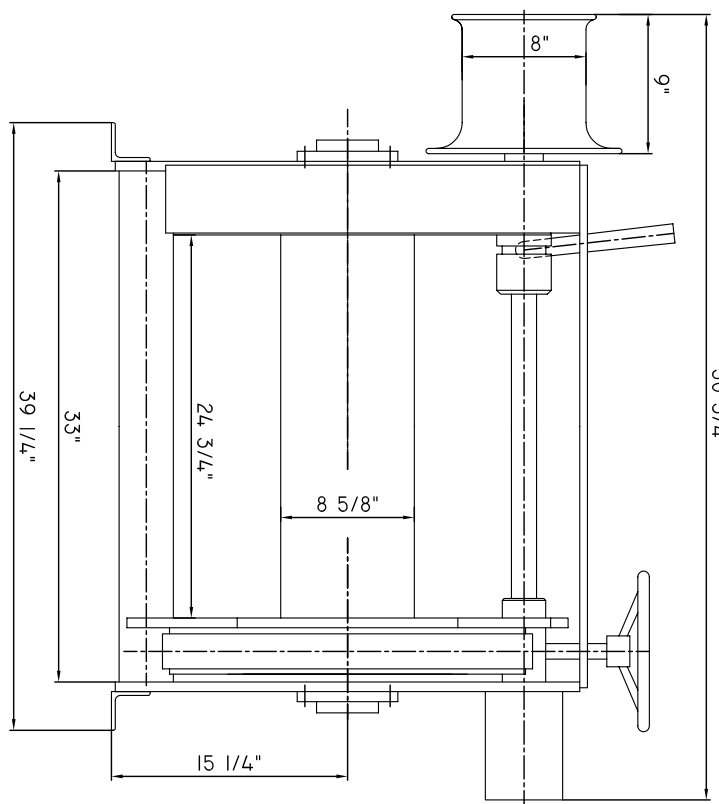
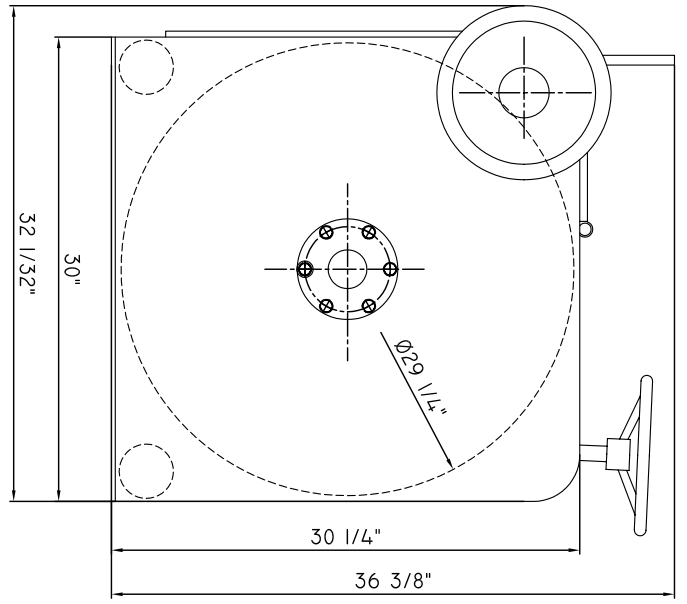


REV	REVISION SCOPE	BY	DATE
-----	----------------	----	------



CAPACITY: 100 FATHOMS 3/4" (19mm) WIRE
20 FATHOMS 1/2" CHAIN

OIL REQUIREMENTS: 14GPM (45L/PM) @ 1500PSI (105Bar)

LINE PULL: BARE DRUM - 7195 LB (3260 KG)
FULL DRUM - 2950 LB (1340 KG)

LINE SPEED: BARE DRUM - 47 FPM (14.5 MPM)
FULL DRUM - 116 FPM (35.5 MPM)

UNLESS STATED OTHERWISE THE FOLLOWING TOLERANCES APPLY		FINISH	DRW. TITLE	DATE	SCALE	REV.
0.00"	± 0.05"	SURFACE FINISH	ANCHOR WINCH 34 X 30	ISSUED	1/4	
0.00"	± 0.01"			REV.		
0.0"	± 0.02"			DATE		
<p>THESE DIMENSIONS ARE INTENTIONAL AND SHALL BE CONSIDERED UNLESS OTHERWISE NOTED TO CONTRARY. THE DESIGNER ACCEPTS RESPONSIBILITY FOR THE ACCURACY OF THE DIMENSIONS AND THE USER SHALL BE RESPONSIBLE FOR THE ACCURACY OF THE EQUIPMENT MANUFACTURE.</p> <p>WESTEC EQUIPMENT INTERNATIONAL LTD 1518 BAY STREET, NORTH VANCOUVER, BC, V7J 1A1 TEL: (604) 988-1130 FAX: (604) 988-1173</p>						
E & U E		ASSIGNED DIMS	NOV/88	DATE	SCALE	REV.
					1/4	DL-1816