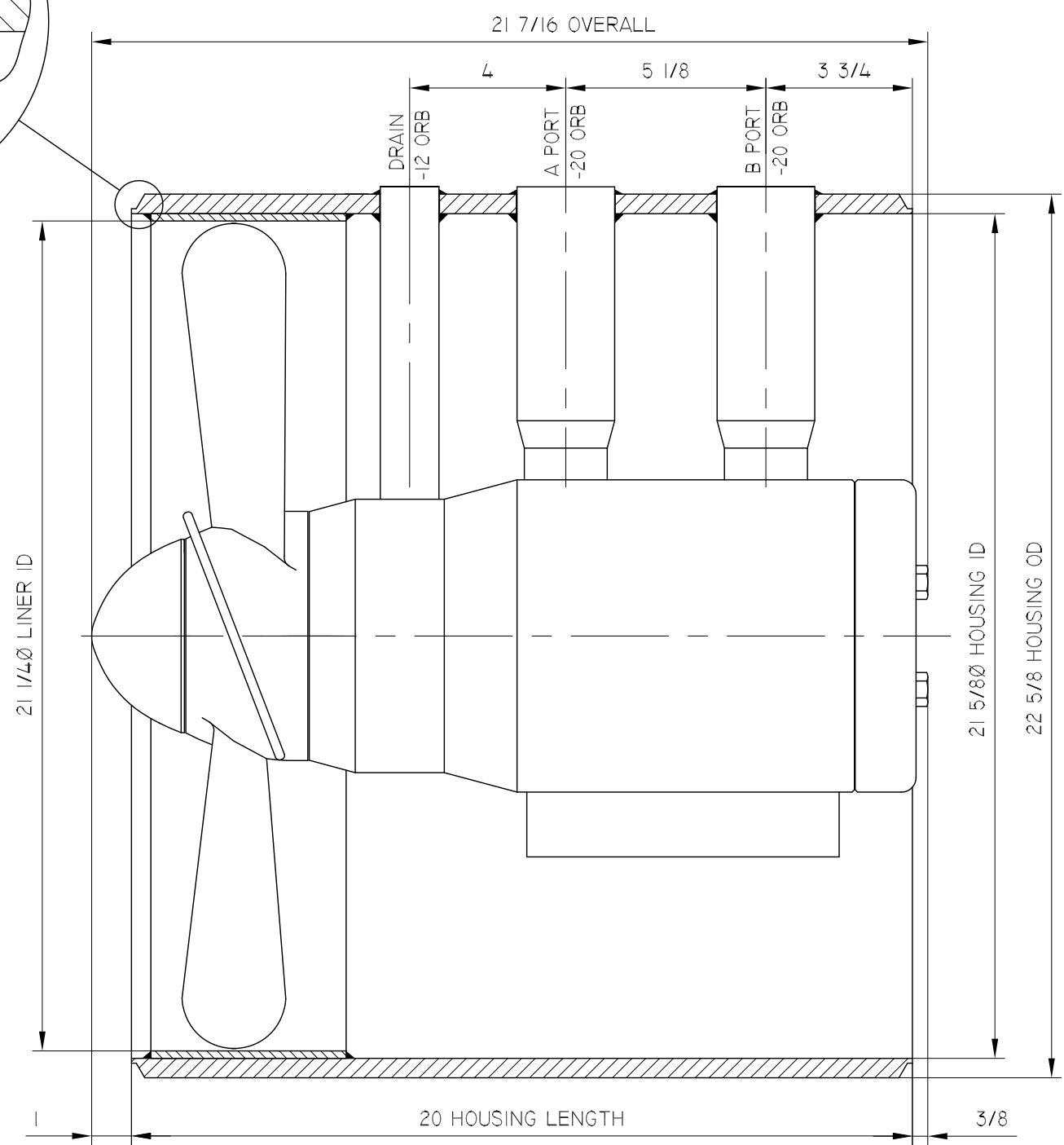
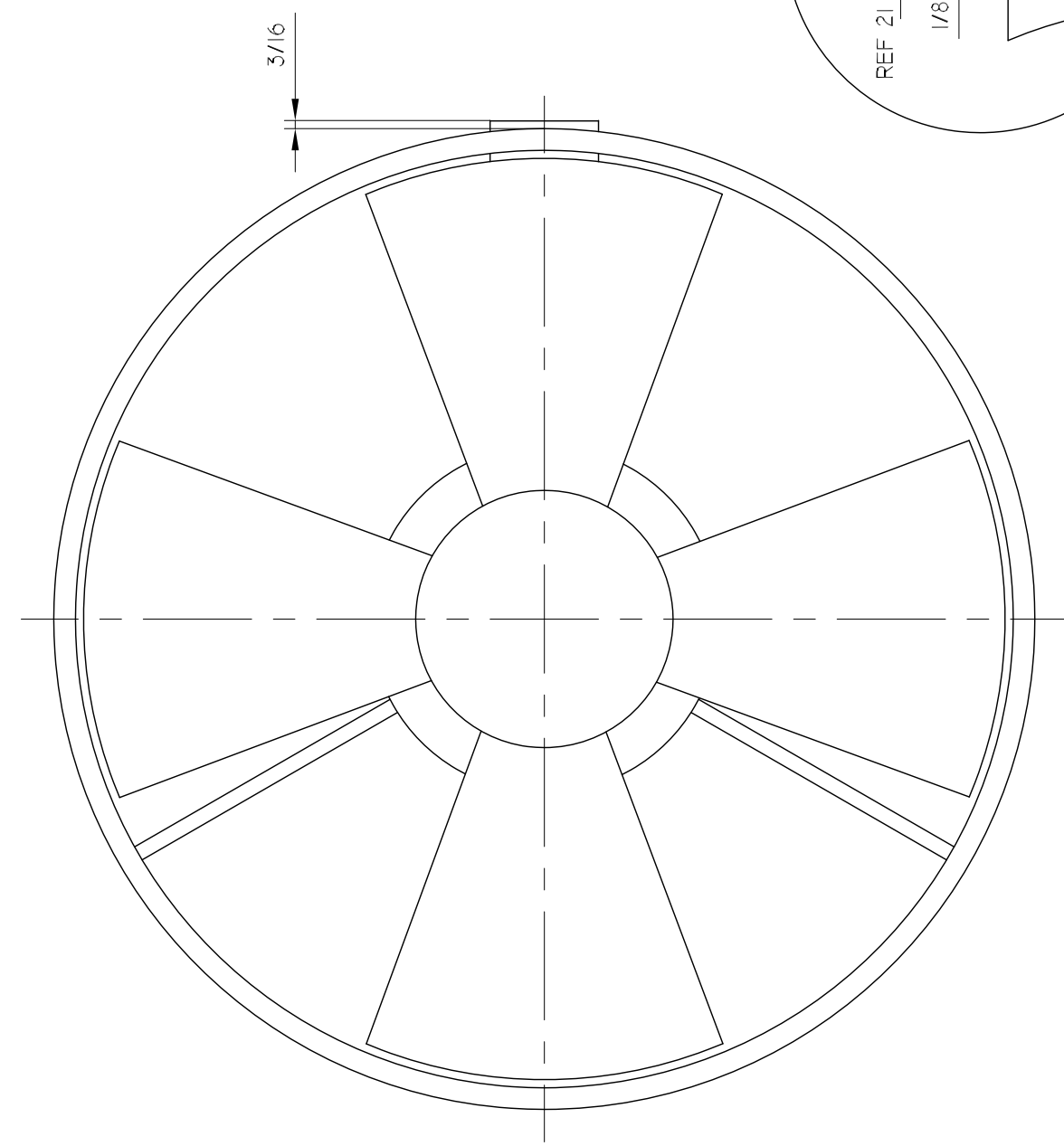
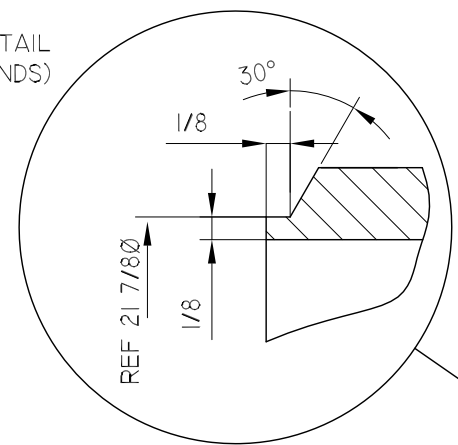




WELD PREP DETAIL  
(TYP - BOTH ENDS)



TECHNICAL SPECIFICATIONS:

MAXIMUM THRUST: 1200 LB  
 HYDRAULIC PRESSURE: 2000 PSI  
 HYDRAULIC FLOW: 60 US GPM

UNLESS STATED OTHERWISE THE FOLLOWING TOLERANCES APPLY		ITEM	QTY.	DESCRIPTION	SIZE	MATL.
0.000"	± .005"	 <b>WESTEC EQUIPMENT INTERNATIONAL LTD</b> 1514 BAY STREET, NORTH VANCOUVER, BC, V7J 1A1 TEL. (604) 988-1130 FAX (604) 988-1173				
0.00"	± .010"					
0.0"	± .02"					
SURFACE FINISH						
THIS DRAWING AND THE INFORMATION THEREON AND THE DESIGN ARE EXHIBITED TO OTHERS WITH THE UNDERSTANDING THAT IT WILL BE CONSIDERED CONFIDENTIAL AND NOT USED FOR MANUFACTURING WITHOUT FORMAL CONSENT FROM WESTEC EQUIPMENT INTERNATIONAL						
<b>DWG. TITLE</b> 22" TB STEEL BOW THRUSTER LAYOUT						
DRAWN	DATE	CHKD.	DATE	SCALE	0.5X	
JBH	01/16/03					
ASSY/REF. DWG.					DWG. NO.	REV.
E & O.E					40702-00-LO	