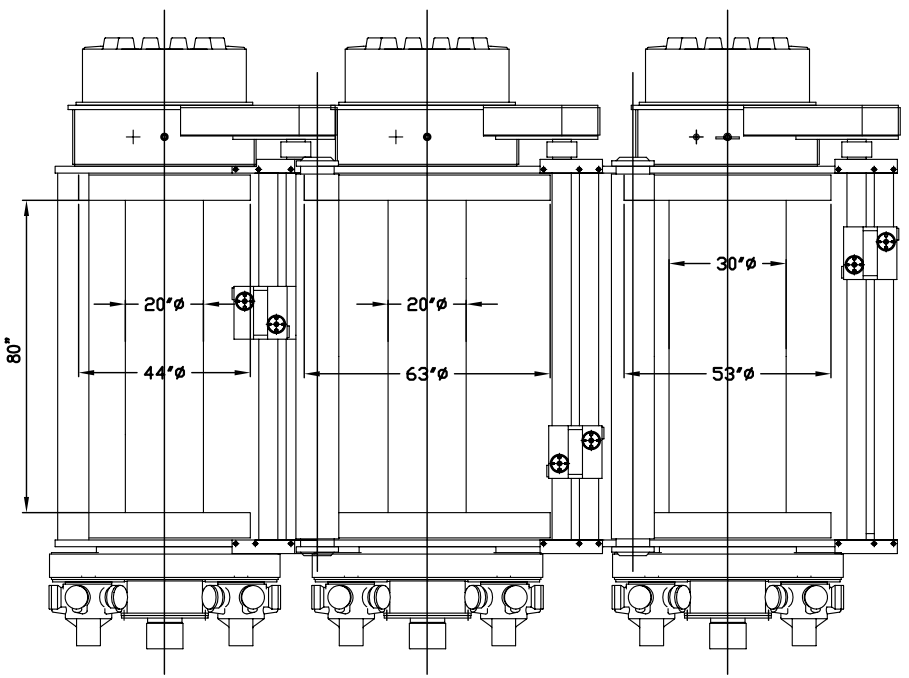


TOP VIEW



- MAIN DRUM**
- LINE PULL, BARE DRUM: 67.49 TONS
- LINE SPEED, BARE DRUM: 19.20 FATHOMS/MIN.
- LINE PULL RING LIFTING: 30.84 TONS
- LINE SPEED RING LIFTING: 42.0 FATHOMS/MIN.
- WIRE CAPACITY, 29mm: 2048 FATHOMS
- BOW DRUM**
- LINE PULL, BARE DRUM: 40.45 TONS
- LINE SPEED, BARE DRUM: 32.0 FATHOMS/MIN.
- LINE PULL RING LIFTING: 30.51 TONS
- LINE SPEED RING LIFTING: 43.7 FATHOMS/MIN.
- WIRE CAPACITY, 29mm: 1266 FATHOMS
- TOW DRUM**
- LINE PULL, BARE DRUM: 43 TONS
- LINE SPEED, BARE DRUM: 17.4 FATHOMS/MIN.
- LINE PULL FULL DRUM: 30.0 TONS
- LINE SPEED FULL DRUM: 30.0 FATHOMS/MIN.
- WIRE CAPACITY, 26mm: 700 FATHOMS

AVERAGE PURSE TIME: 14 MIN. FOR 1200 FATHOMS (FOR 2200M)
 TOTAL LINE PULL RING LIFTING: 60 TONS
 LOW SPEED RING LIFTING: 21 FATHOMS/MIN. (38.4 M/MIN.)
 LOW SPEED INPUT H.P.: 525

ITEM	QTY.	DESCRIPTION	SIZE	MATL.
WESTEC EQUIPMENT INTERNATIONAL LTD.				
1401 DOMINION ST. NORTH VANCOUVER, B.C. CANADA V7J 1S8 TEL. (604) 908-1130 FAX (604) 908-1175				
DWG. TITLE				
TW 8063 GENERAL ARRANGEMENT				
DRAWN S.E.	DATE 22/7/88	CHKD.	DATE	SCALE
ASSY/REF. DWG.	DWG. NO.			REV.
	20700-00			