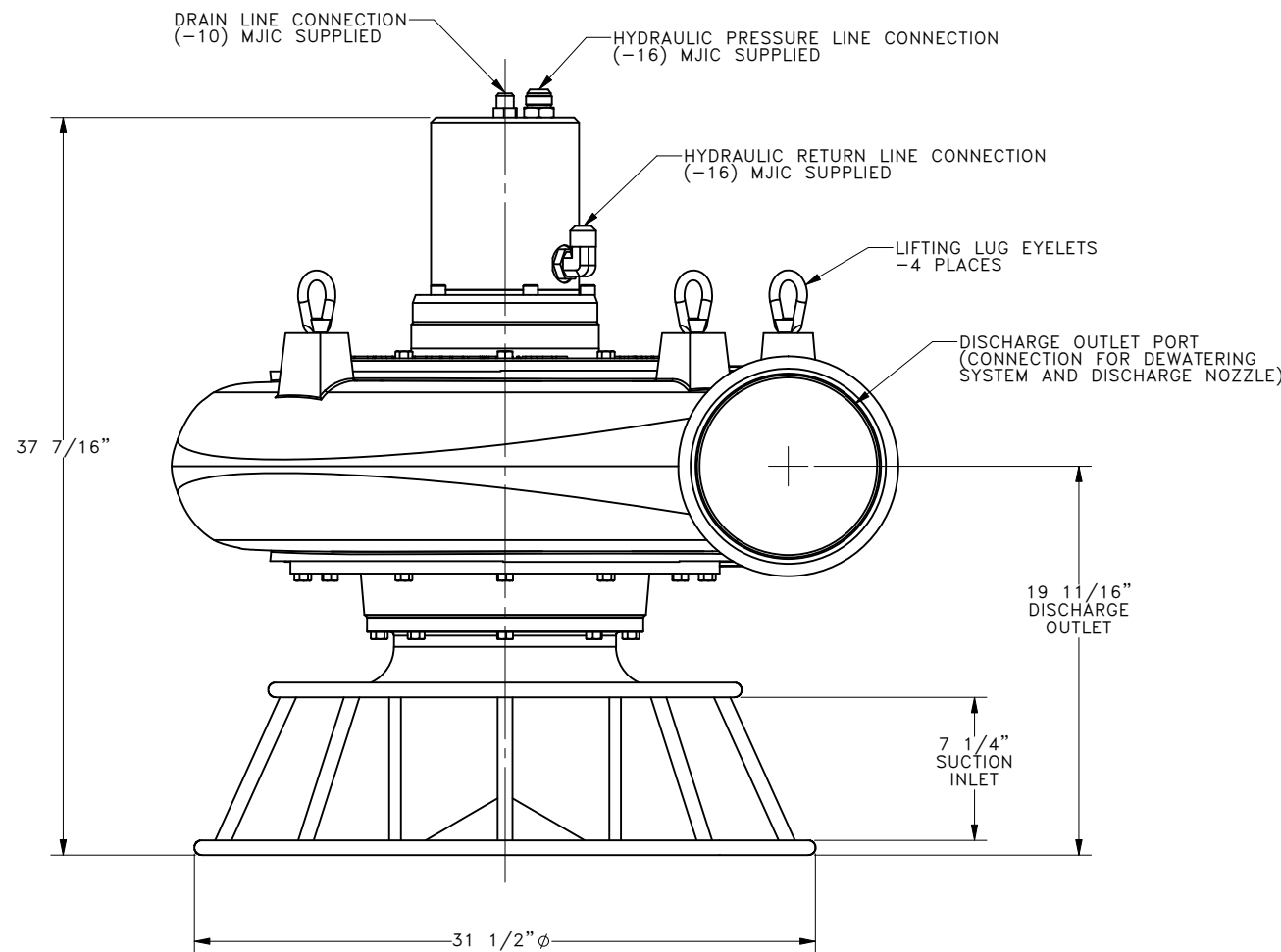
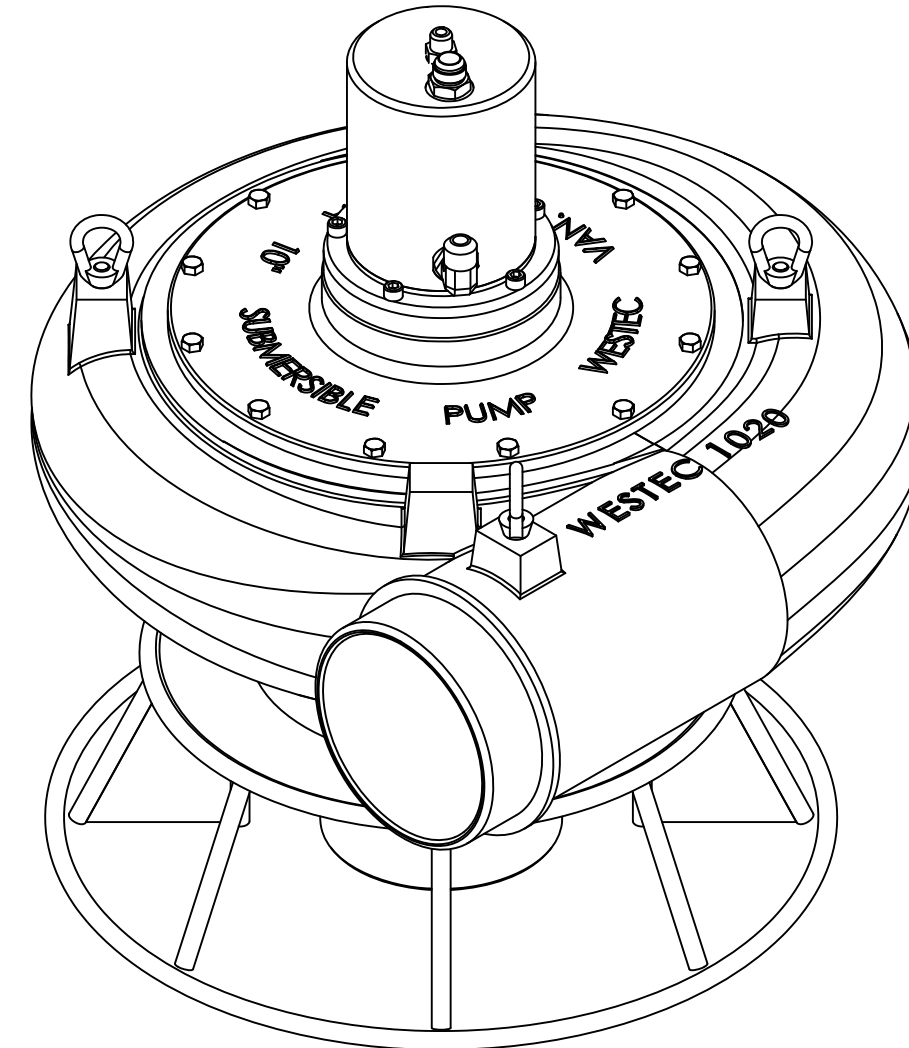
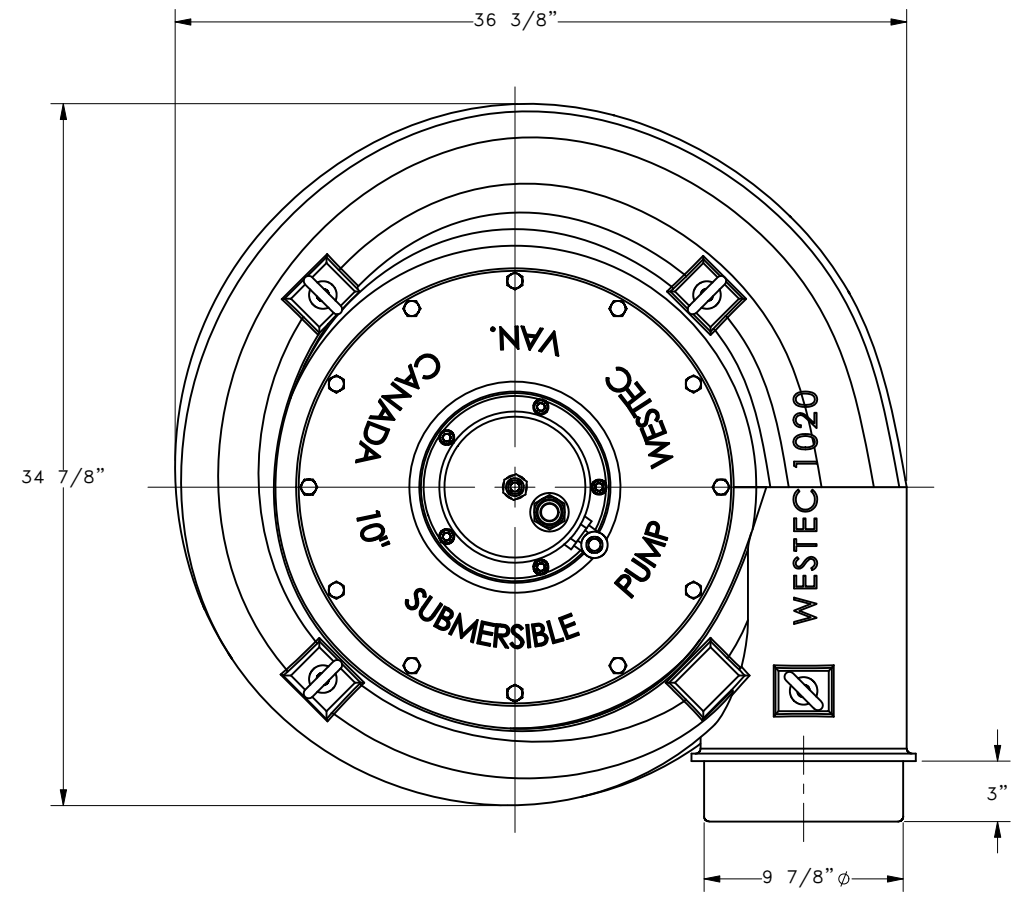


REVISIONS				
ZONE	REV.	DESCRIPTION	DATE (D/M/Y)	APPROVED
-	-	ORIGINAL ISSUE	02/10/2004	JBH
-	A	GENERAL REVISIONS	25/09/2018	MLG



**WESTEC 1020 FISH PUMP SPECIFICATIONS:**

OIL INPUT AT 2000 PSI: 35 USGPM  
 IMPELLER RPM: 675 AT FULL FLOW  
 ELEVATION HEAD: 25 FEET  
 CAPACITY: 200 TONS/HOUR (ROE HERRING)

APPROXIMATE WEIGHT: 450 LBS

THIS DRAWING AND THE INFORMATION THEREON AND THE DESIGN ARE EXHIBITED TO OTHERS WITH THE UNDERSTANDING THAT IT WILL BE CONSIDERED CONFIDENTIAL AND NOT USED FOR MANUFACTURING WITHOUT FORMAL CONSENT FROM WESTEC EQUIPMENT INTERNATIONAL LTD.

E & O.E

ALL DIMENSIONS ARE IN INCHES UNLESS OTHERWISE SPECIFIED	
M/C TOLERANCES	MEAN SURFACE ROUGHNESS
X.X"±0.020"	125
X.XX"±0.010"	√
X.XXX"±0.005"	ANGLES
X.XXXX"±0.0005"	± 1°
FRACT.±1/32"	DO NOT SCALE
FAB TOLERANCES	
> 24ft ±1/16"	
< 24ft ±1/8"	
BREAK ALL SHARP CORNERS	THIRD ANGLE

		<b>WESTEC EQUIPMENT INTERNATIONAL LTD.</b> 1514 BAY STREET, NORTH VANCOUVER, BC, CANADA V7J 1A1 PHONE: 604-988-1130 FAX: 604-988-1173 www.westecequipment.com	
<b>TITLE: WESTEC 1020 FISH PUMP GENERAL ARRANGEMENT</b>			
DRAWN: BBQ	SIZE: D	DRAWING NO.: 41000-00-GA	REVISION: A
CHECKED: MLG	DATE: 25/09/2018	PROJECT:	SCALE: 1:5 SHEET: 1/1