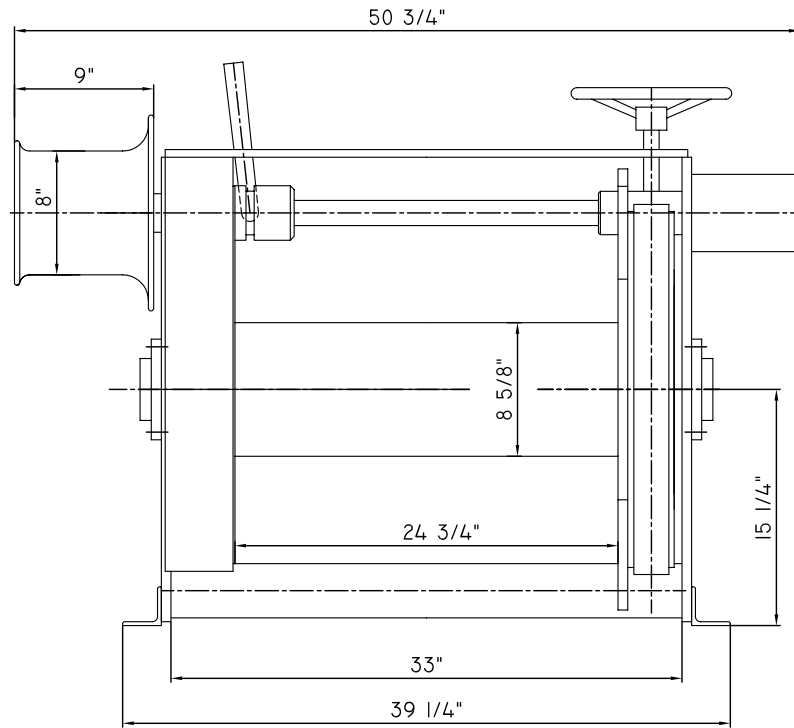
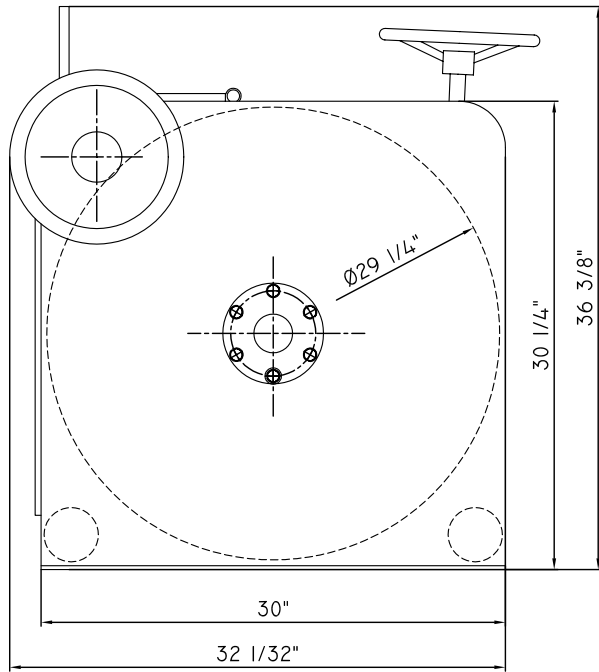


REV.	REVISION SCOPE	BY	DATE
------	----------------	----	------




CAPACITY: 100 FATHOMS 3/4" (19mm) WIRE
20 FATHOMS 1/2" CHAIN

OIL REQUIREMENTS: 14GPM (45LPM) @ 1500PSI (105Bar)

LINE PULL : BARE DRUM - 7195 LB (3260 KG)
FULL DRUM - 2950 LB (1340 KG)

LINE SPEED: BARE DRUM - 47 FPM (14.5 MPM)
FULL DRUM - 116 FPM (35.5 MPM)

UNLESS STATED OTHERWISE THE FOLLOWING TOLERANCES APPLY		ITEM	QTY.	DESCRIPTION	SIZE	MATL.
0.000"	± .005"			WESTEC EQUIPMENT INTERNATIONAL LTD 1514 BAY STREET, NORTH VANCOUVER, BC, V7J 1A1 TEL. (604) 988-1130 FAX (604) 988-1173		
0.00"	± .010"					
0.0"	± .02"					
SURFACE FINISH		DWG. TITLE ANCHOR WINCH 34 X 30				
THE DRAWING AND THE INFORMATION THEREON AND THE DESIGN ARE EXHIBITED TO OTHERS WITH THE UNDERSTANDING THAT IT WILL BE CONSIDERED CONFIDENTIAL AND NOT USED FOR MANUFACTURING WITHOUT FORMAL CONSENT FROM WESTEC EQUIPMENT INTERNATIONAL.		DRAWN R.S.	DATE NOV 08	CHKD. DATE	SCALE 1/4	DWG. NO. DA-1816
E & O.E		ASSY/REF. DWG.		REV.		