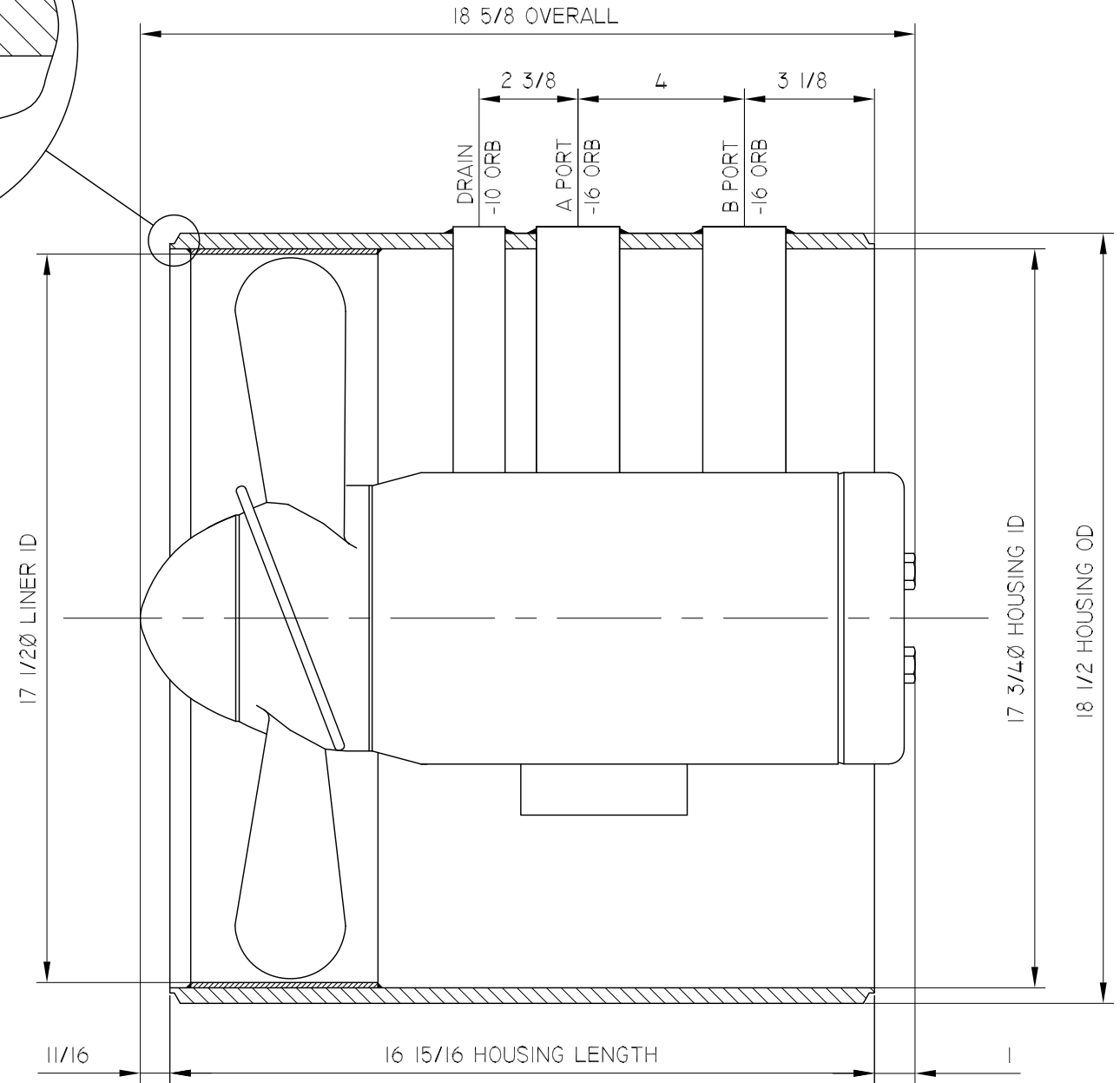
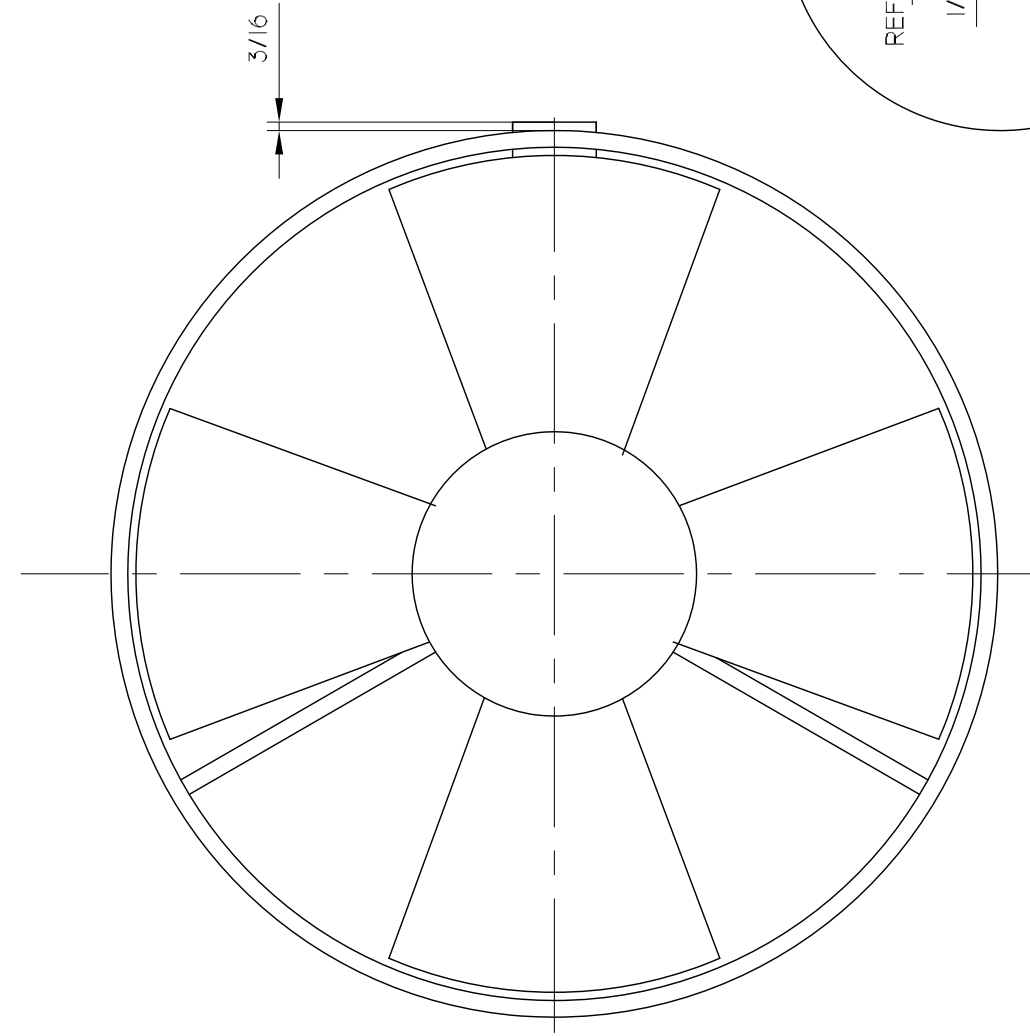
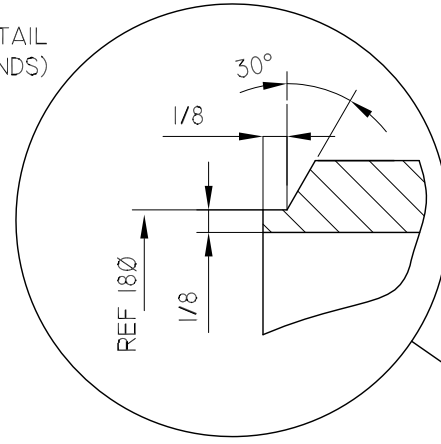


WELD PREP DETAIL
(TYP - BOTH ENDS)



TECHNICAL SPECIFICATIONS:

MAXIMUM THRUST: 850 LB
 HYDRAULIC PRESSURE: 2000 PSI
 HYDRAULIC FLOW: 50 US GPM

UNLESS STATED OTHERWISE
THE FOLLOWING TOLERANCES APPLY

0.000"	± .005"
0.00"	± .010"
0.0"	± .02"

SURFACE FINISH

THIS DRAWING AND THE INFORMATION THEREON AND THE DESIGN ARE EXHIBITED TO OTHERS WITH THE UNDERSTANDING THAT IT WILL BE CONSIDERED CONFIDENTIAL AND NOT USED FOR MANUFACTURING WITHOUT FORMAL CONSENT FROM WESTEC EQUIPMENT INTERNATIONAL

E & O.E

ITEM	QTY.	DESCRIPTION	SIZE	MATL.
		WESTEC EQUIPMENT INTERNATIONAL LTD 1514 BAY STREET, NORTH VANCOUVER, BC, V7J 1A1 TEL. (604) 988-1130 FAX (604) 988-1173		
DWG. TITLE				
18" TB STEEL BOW THRUSTER LAYOUT				
DRAWN	DATE	CHKD.	DATE	SCALE
JBH	12/20/02			0.5X
ASSY/REF. DWG.			DWG. NO.	REV.
			40701-00-LO	